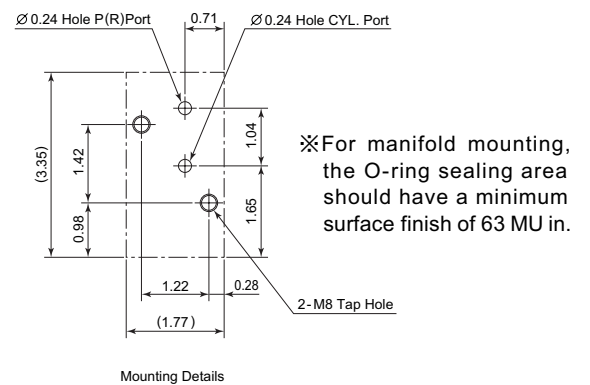
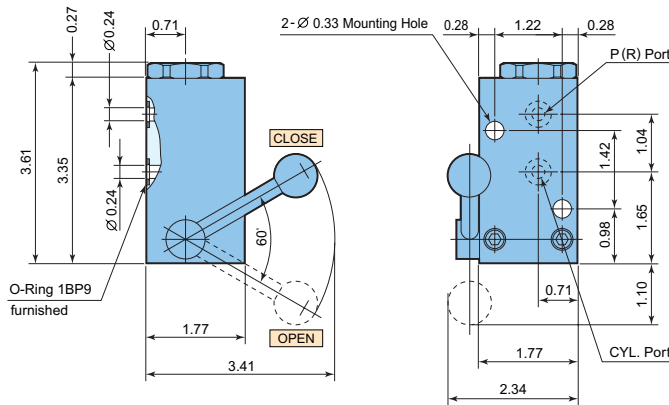


Activates Work Clamps in one circuit individually by manual handling.

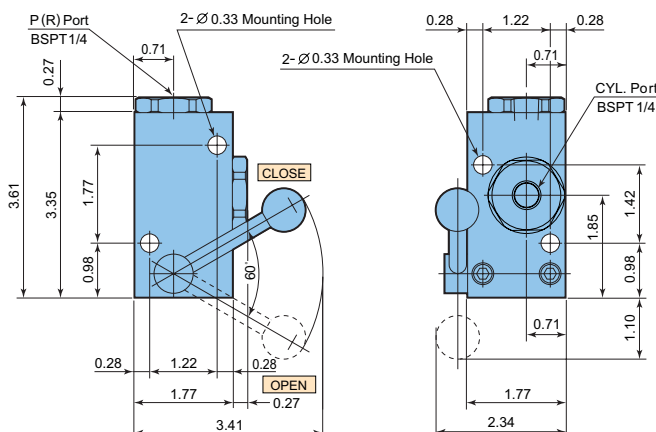
Model	VHB-HG	VHB-HT
Type of Mounting	Manifold Type	Piping Type
Working Pressure Range	1000 ~ 4350 psi	
Orifice Area	0.025 in ²	
Mass	2.7 lb	

Proof Pressure :5400 psi Ambient Temperature : 32~158 °F Fluid Used : ISO-VG32 equivalent normal operation oil
 There is a type available that fluorine rubber (Viton) is adopted at the sealing portions for protection against chlorine coolant.
 (Symbol V. Example : model VHB - □□-V, This is not a heat proof specification.)

model **VHB-HG** Manifold Type ※Built-in filter not included



model **VHB-HT** Piping Type ※Built-in filter included



※ Mounting Bolt is not furnished.