

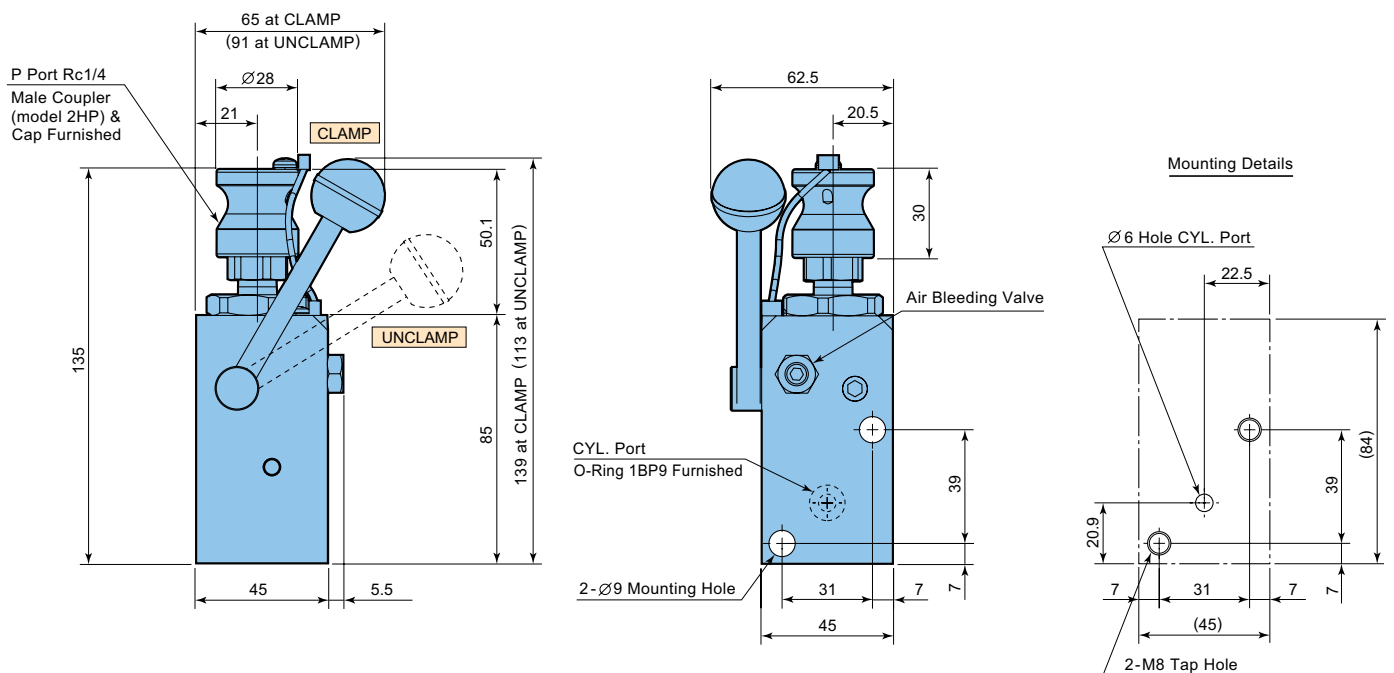
Manual handling type suitable for single action clamp. Non leak feature to keep internal pressure of clamp circuit for long hours after separation from hydraulic source.

Model	VHC-LGB	VHC-LGS	VHC-LT
Type of Mounting	Manifold Bottom Mount Type	Manifold Side Mount Type	Piping Type
Working Pressure Range	2 ~ 7 MPa		
Proof Pressure	10.5 MPa		
Orifice Area	14.2 mm <sup>2</sup>		
Ambient Temperature	0 ~ 70 °C		
Fluid Used	ISO-VG32 equivalent normal operation oil		
Mass	1.4 kg		

There is a type available that fluorine rubber (Viton) is adopted at the sealing portions for protection against chlorine coolant. (Symbol V. Example : model VHC-□□□-V, This is not a heat proof specification.)

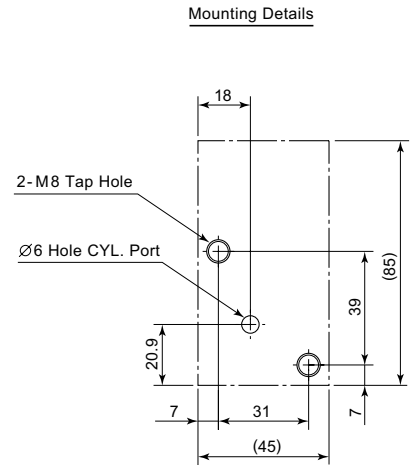
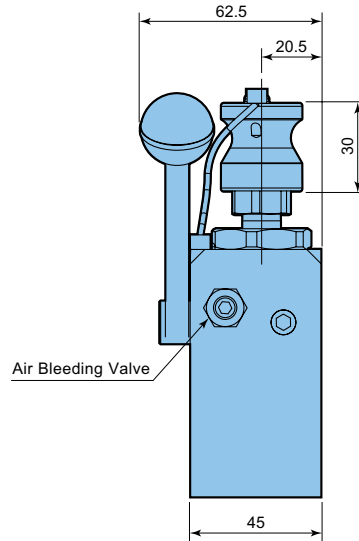
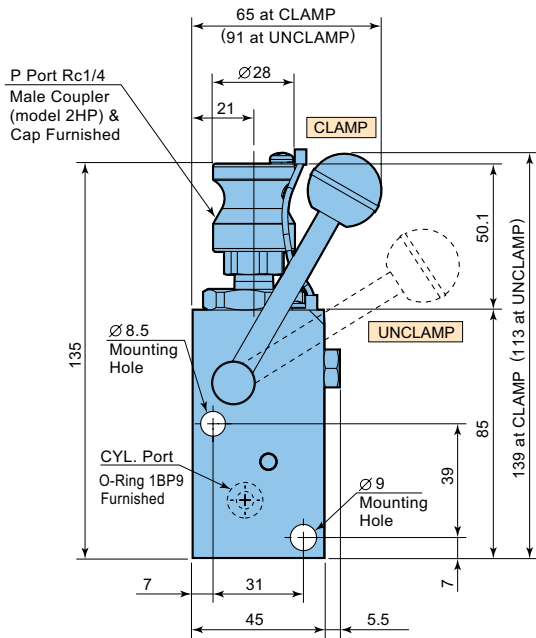
There is a type available that shift lever is mounted at the opposite side. (Symbol K. Example : model VHC-□□□-K )

## model VHC-LGB Manifold Bottom Mount Type ※ Built-in Filter included (P Port)



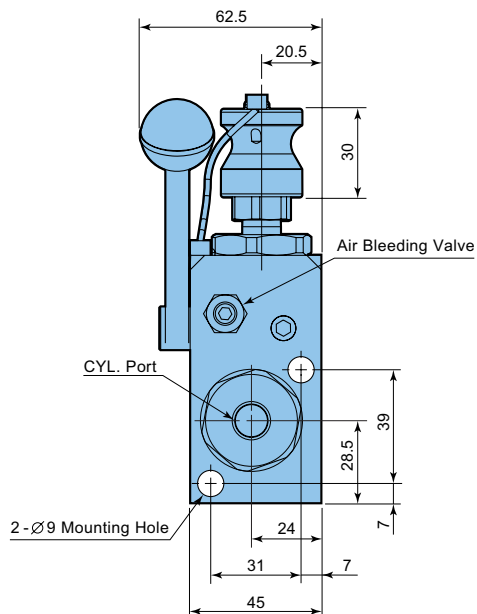
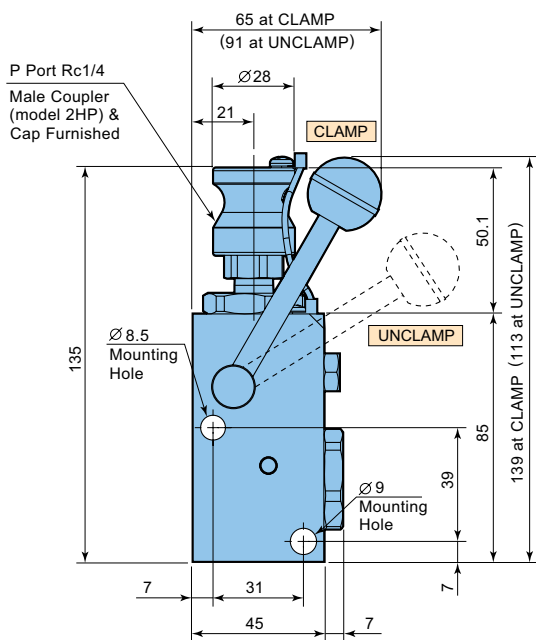
※For manifold mounting, the O-ring sealing area should be no rougher than Rz6.3 (ISO4287:1997).

model **VHC-LGS** Manifold Side Mount Type ※ Built-in Filter included (P Port)



※For manifold mounting, the O-ring sealing area should be no rougher than Rz6.3 (ISO4287:1997).

model **VHC-LT** Piping Type ※ Built-in Filter included (P, CYL. Port)



※ Female coupler (model 2HS) and Mounting bolts are not furnished.