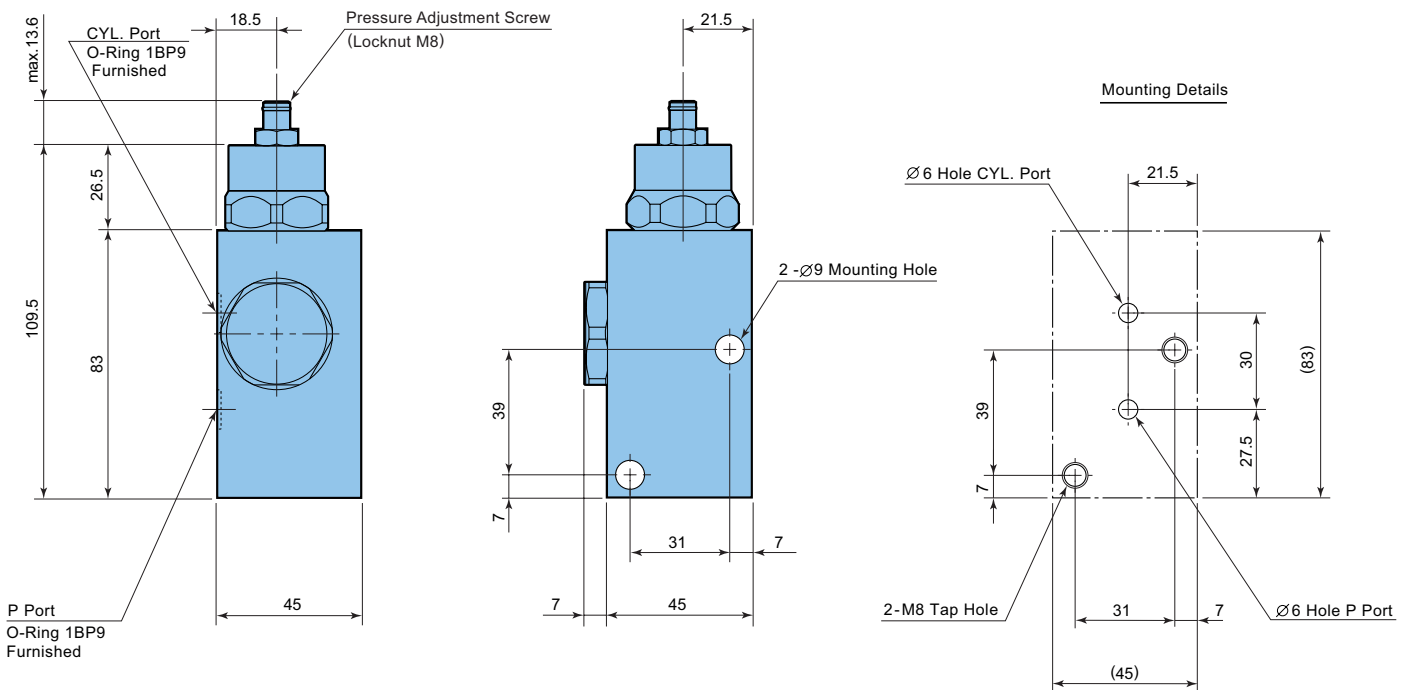


Sequentially activates Work Clamp and Work Support in one circuit.

Model	VEC-LG	VEC-LS	VEC-LT
Type of Mounting	Manifold Type	VHC combination Type	Piping Type
Working Pressure Range	2 ~ 7 MPa		
Set Pressure Range	1 ~ 6 MPa		
Cracking Pressure	0.015 MPa		
Orifice Area	P → CLY. 7.1 mm ²	CLY. → R 28.3 mm ²	
Mass	1.2 kg		

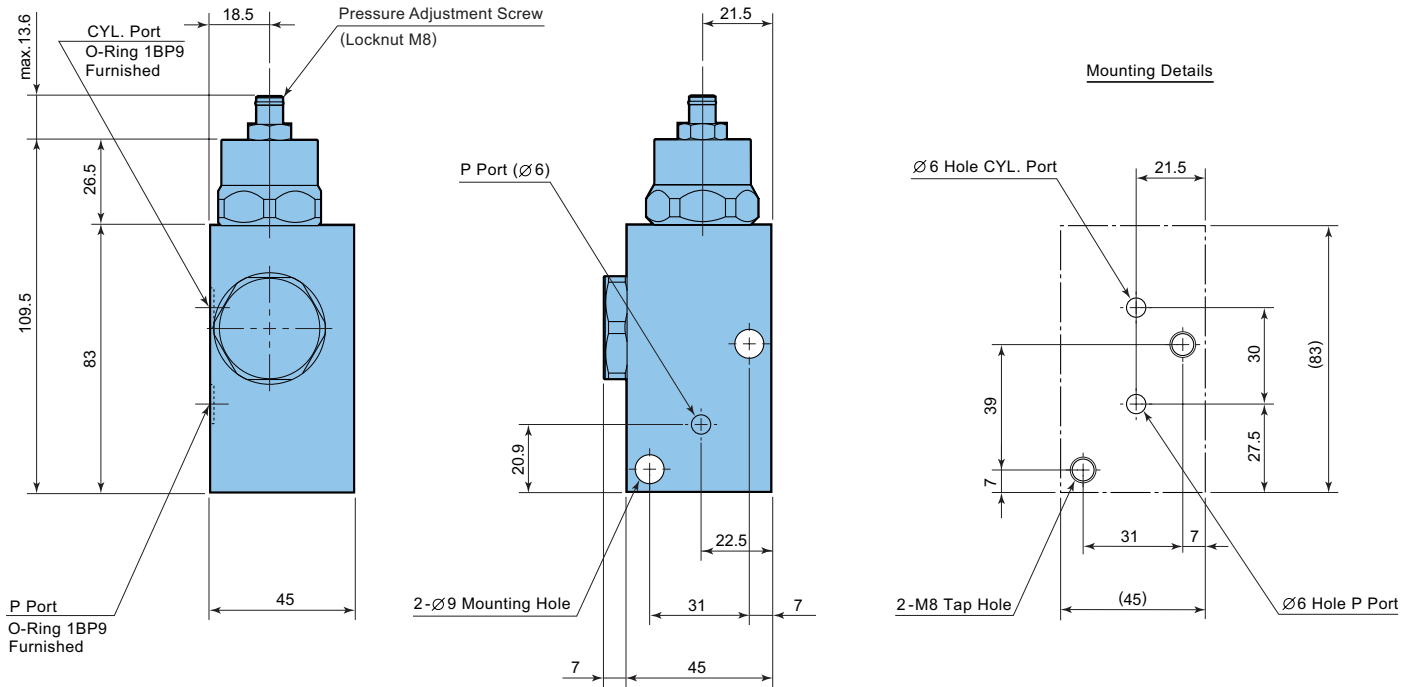
Proof Pressure : 10.5 MPa Ambient Temperature : 0 ~ 70°C Fluid Used : ISO-VG32 equivalent normal operation oil
 There is a type available that fluorine rubber (Viton) is adopted at the sealing portions for protection against chlorine coolant.
 (Symbol V. Example : model VEC -□□-V, This is not a heat proof specification.)

model **VEC-LG** Manifold Type ※Built-in Filter not included

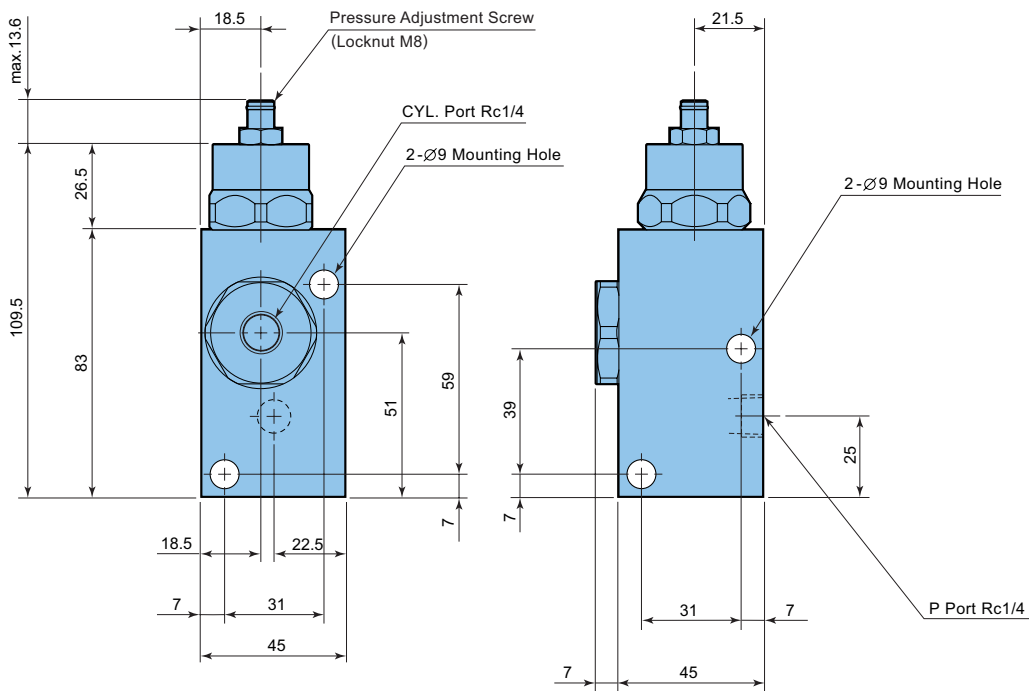


※For manifold mounting, the O-ring sealing area should be no rougher than Rz6.3 (ISO4287:1997).

model **VEC-LS** **VHC Combination Type** ※Built-in Filter not included



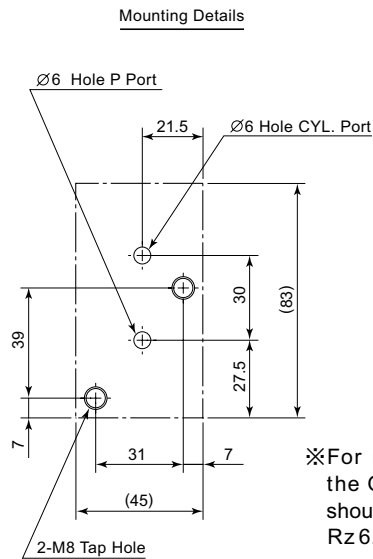
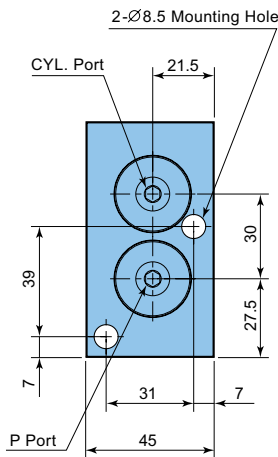
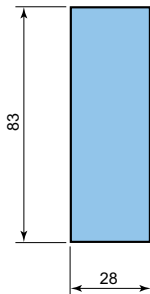
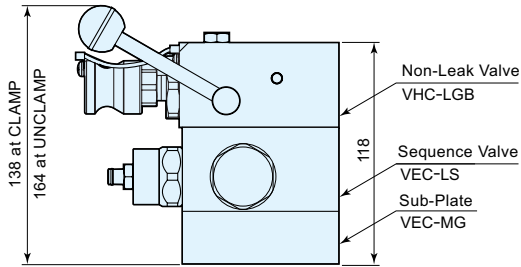
model **VEC-LT** **Piping Type** ※Built-in Filter included (CYL.Port)



※ Mounting bolts are not furnished.

model **VEC-MG** **VEC Sub-Plate Manifold Type (Option)** ※Built-in Filter included

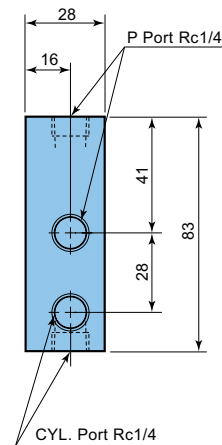
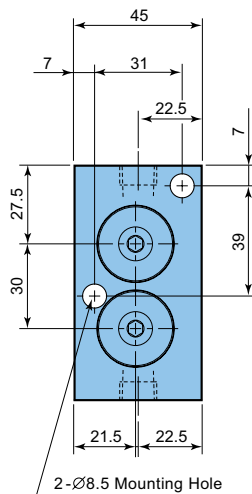
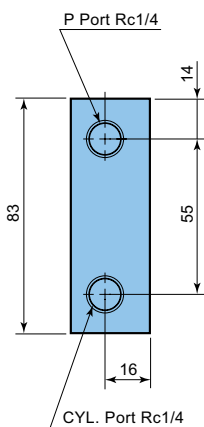
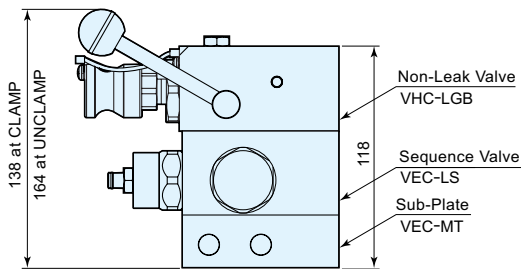
Dimensions when combined with VHC



※For manifold mounting, the O-ring sealing area should be no rougher than Rz6.3 (ISO4287:1997).

model **VEC-MT** **VEC Sub-Plate Piping Type (Option)** ※ Built-in Filter included

Dimensions when combined with VHC



※Mounting bolts are not furnished.