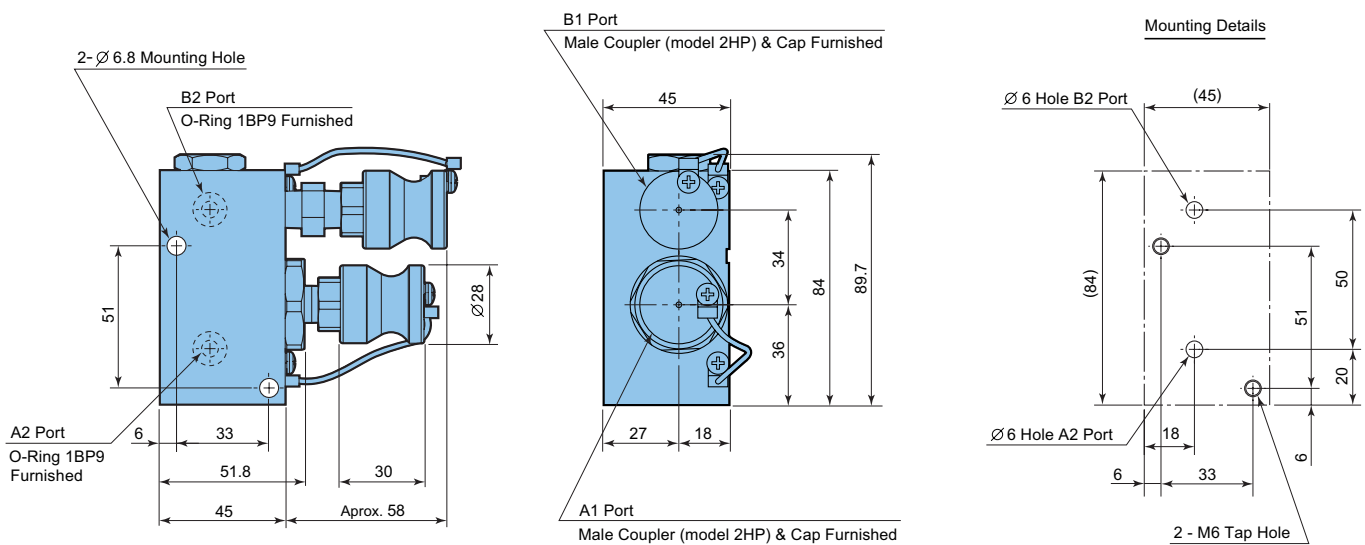


Handy and designed for a coupling process of double action clamp. Non leak feature to keep internal pressure of clamp circuit for long hours after separation from hydraulic source.

Model	VCB-LGB	VCB-LGS	VCB-LT
Type of Mounting	Manifold Bottom Mount Type	Manifold Side Mount Type	Piping Type
Working Pressure Range	2 ~ 7 MPa		
Proof Pressure	10.5 MPa		
Minimum Pilot Pressure (while opening)	$0.19 + 0.23 \times \text{Outlet pressure} - 0.12 \times \text{Inlet pressure}$		
Orifice Area	14.2 mm ²		
Ambient Temperature	0 ~ 70 °C		
Fluid Used	ISO-VG32 equivalent normal operation oil		
Mass	1.4 kg		

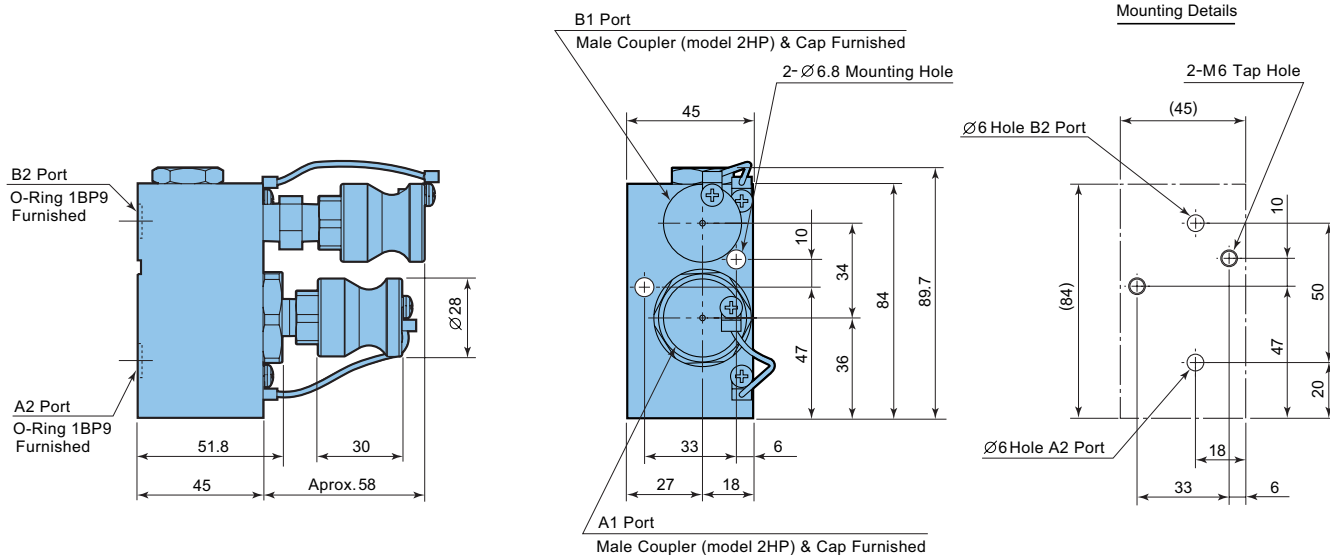
There is a type available that fluorine rubber (Viton) is adopted at the sealing portions for protection against chlorine coolant. (Symbol V. Example : model VCB-□□□-V, This is not a heat proof specification.)

model VCB-LGB **Manifold Bottom Mount Type** ※ Built-in Filter included (A1 Port)



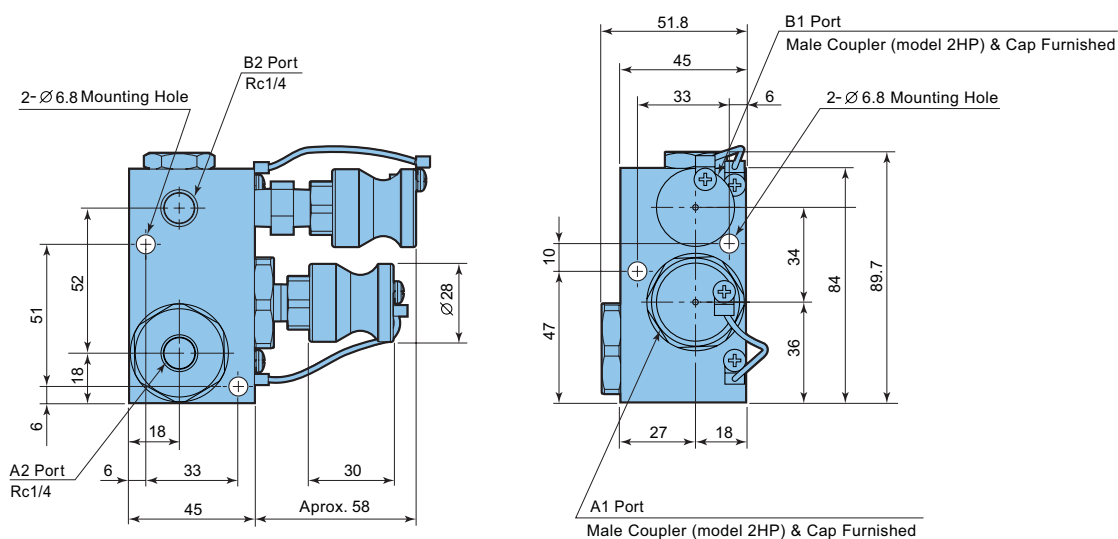
※For manifold mounting, the O-ring sealing area should be no rougher than Rz6.3 (ISO4287:1997).

model **VCB-LGS** **Manifold Side Mount Type** ※ Built-in Filter included (A1 Port)



※For manifold mounting, the O-ring sealing area should be no rougher than Rz6.3 (ISO4287:1997).

model **VCB-LT** **Piping Type** ※ Built-in Filter included (A1, A2 Port)



※ Female couplers (model 2HS) and Mounting bolts are not furnished.