

Model VSE is a valve unit containing the modules such as Pascal valve with special non-leak function, pressure relief valve and pressure switch, etc. Model VSE is particularly designed with its high reliability for the application in injection molding machines.



SPECIFICATIONS (VSE ☒ -3 [Circuit symbol])

MODEL	VSE ☒ -3CSSK	
Hydraulic pressure (from injection molding machines)	13.7(15.7) MPa	
Set pressure of pressure switch (increase)	8.8 MPa	
Maximum working pressure	20.6 MPa (at pilot air pressure 0.49MPa)	
Orifice area	P → A	12.6 mm ²
	A → R	19.4 mm ²

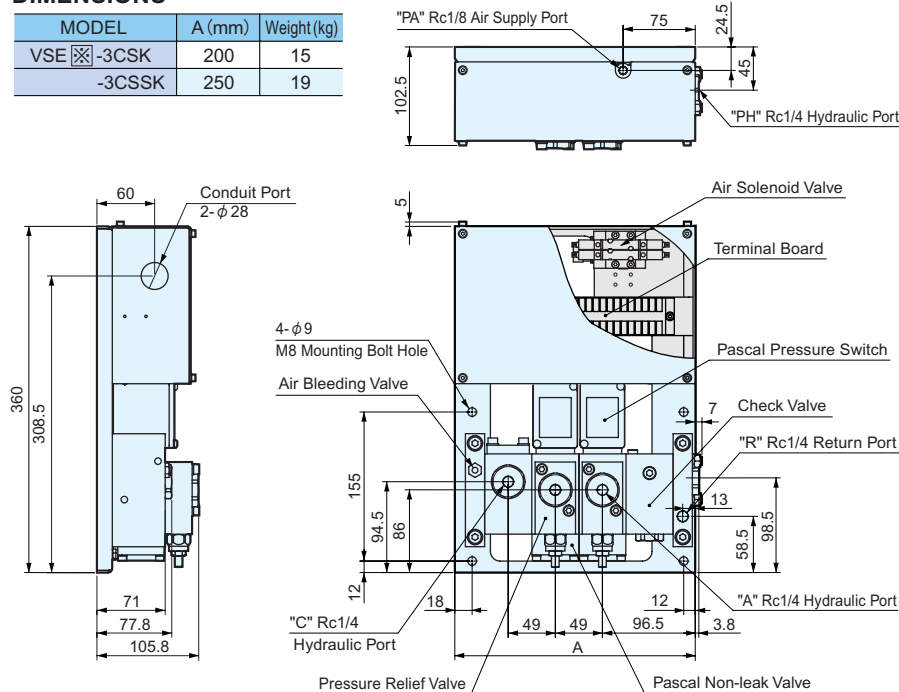
- Fluid used : ISO-VG32 equivalent mineral oil
- Working temperature range : 0~50°C
- When applying a Pascal pump as power source, model name becomes VS ☒ -3 [Circuit symbol]
- 1.57 MPa is when the clamp model TME is used.

☒ Electrical power voltage shall be specified as per the following classifications.

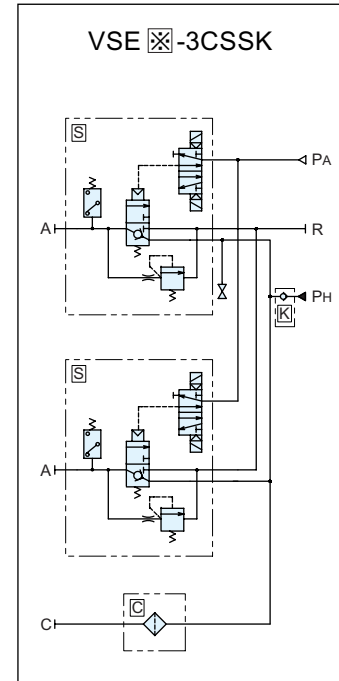
A	AC100V
B	AC200V
C	AC110V
D	DC 24V
E	AC220V

DIMENSIONS

MODEL	A (mm)	Weight (kg)
VSE ☒ -3CSK	200	15
-3CSSK	250	19



CIRCUIT DIAGRAM



Hydraulic circuit specifications		Symbol
C port with inline filter		C
C port with pressure gauge for incoming pressure		Q
Pressure gauge for incoming pressure		E
C port with pressure switch for incoming pressure		H
Clamp	Single solenoid	D
	Double solenoid	L
	D circuit with relief valve for excessive high pressure	X
	L circuit with relief valve for excessive high pressure	S

For the detail of hydraulic circuit and options, ask us separately.