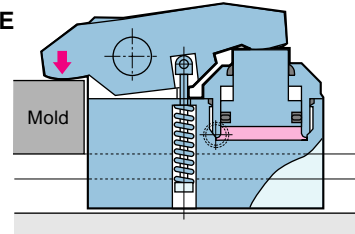


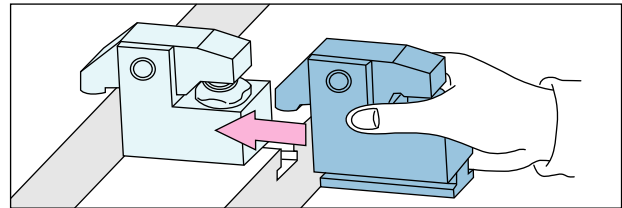
Model TYA is a lever clamp designed to be inserted to T-slot of platens. It has a large fixing force with shock-proof rigidity as well as long fixing stroke.



STRUCTURE



APPLICATION EXAMPLE



SPECIFICATIONS (TYA — N : NPT_port)

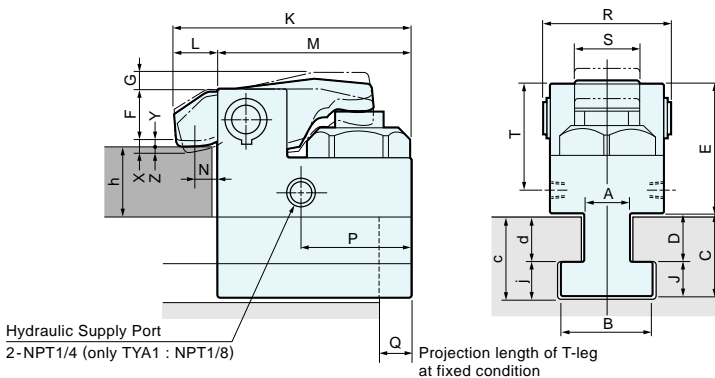
MODEL	TYA1	TYA2	TYA4	TYA6	TYA10	TYA16	TYA25
Fixing Force At hydraulic pressure 3553 psi (US ton)	1.1	2.2	4.4	6.9	11.0	17.6	27.6
Full Stroke : X (in)	0.236	0.276	0.276	0.315	0.315	0.315	0.315
Fixing Stroke : Y ※1 (in)	0.118	0.157	0.157	0.157	0.157	0.157	0.157
Safety Stroke : Z ※1 (in)	0.118	0.118	0.118	0.157	0.157	0.157	0.157
Cylinder Capacity At Full Stroke (in ³)	0.15	0.38	0.81	1.36	2.26	3.72	5.68
Weight ※2 (lb)	2.2	6.6	9.9	19.8	33.1	55.1	77.2

■Proof pressure : 5322 psi ■Working temperature range : 32~158°F(41~248°F by heat proof type)

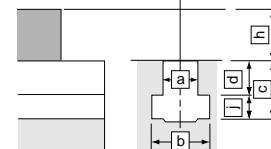
※1. Fixing stroke and safety stroke shown above are the standard, but they are subject to change depending on dimensions of mold and T-slot.

※2. Weight varies according to the dimension of T-leg as well as h.

DIMENSIONS



Specify T-slot dimensions (a, b, c, d, j) and clamping thickness (h) when ordering.



● About "d" dimension

- When installing on existing machine, specify in 0.01" resolution for us to design.
 - When installing on new machine, you need to machine the platen with the machining tolerance of ± 0.01 ".
- Dimensions A, B, C, D, J shall be determined according to T-slot dimensions.
- When newly machining T-slot, it is recommended to apply the dimensions specified on page 4.

(in)

MODEL	F ※1	MAX.G	K	L	M	N	P	MAX.Q ※3	R	S	T	MIN.E	MIN.J	h=MIN.-MAX. ※2	MIN.a
TYA1	0.650 (0.984 ≤ h)	0.236	2.874	0.591	2.283	0.394	1.220	457	1.693	0.787	1.358	1.752	0.315	0.591~1.969	0.394
	0.846 (0.787 ≤ h<0.984)														
	1.043 (0.591 ≤ h<0.787)														
TYA2	0.689 (1.280 ≤ h)	0.394	3.976	0.709	3.268	0.492	1.614	559	2.283	1.102	1.693	2.126	0.374	0.886~1.969	0.492
	1.083 (0.886 ≤ h<1.083)														
	1.083 (1.496 ≤ h)														
TYA4	1.280 (1.299 ≤ h<1.496)	0.394	5.630	0.906	4.724	0.630	2.165	813	2.874	1.575	2.264	2.736	0.453	1.102~1.969	0.591
	1.476 (1.102 ≤ h<1.299)														
	1.161 (1.890 ≤ h)														
TYA6	1.555 (1.496 ≤ h<1.890)	0.394	6.417	1.181	5.236	0.787	2.008	914	3.661	1.969	2.697	3.209	0.591	1.102~2.362	0.748
	1.949 (1.102 ≤ h<1.496)														
	1.772 (2.283 ≤ h)														
TYA10	2.165 (1.890 ≤ h<2.283)	0.433	7.677	1.181	6.496	0.787	2.441	1143	4.094	2.165	3.819	4.213	0.669	1.496~2.756	0.906
	2.559 (1.496 ≤ h<1.890)														
	2.362 (2.677 ≤ h)														
TYA16	2.756 (2.283 ≤ h<2.677)	0.472	9.055	1.181	7.874	0.787	3.150	1397	4.921	2.362	4.724	5.197	0.787	1.890~3.150	1.063
	3.150 (1.890 ≤ h<2.283)														
	2.992 (3.465 ≤ h)														
TYA25	3.386 (3.071 ≤ h<3.465)	0.512	10.630	1.181	9.449	0.787	3.543	1753	6.102	2.835	6.142	6.614	0.906	2.677~3.150	1.260
	3.780 (2.677 ≤ h<3.071)														

※1. F will be decided according to the dimension of h (mold thickness). If h dimension is shorter than the minimum figure of F, the product will be treated as special type.

※2. If h dimension is larger than the maximum figure, the product will be also treated as special type.

※3. There are cases when the projection length of T-leg exceeding the Max. Q figure may be used according to the T-slot dimensions. In such case, ask us for details.