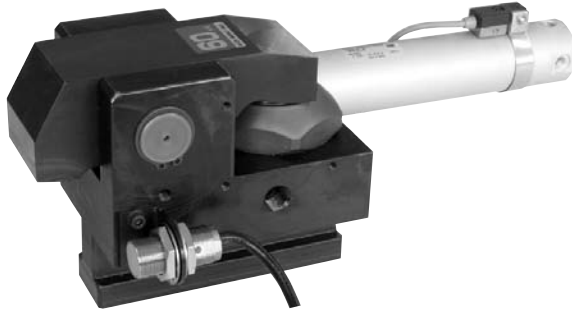
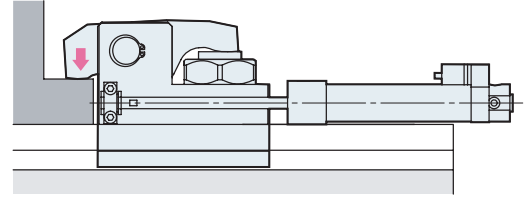


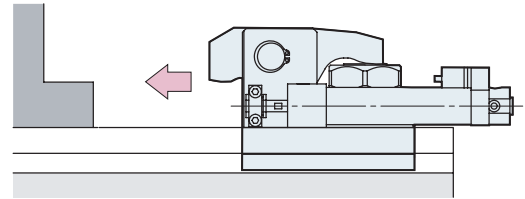
Model TYC-R is equipped with an automatic slider on top of model TYA. Clamp and unclamp can be very swiftly done in order to minimize the operation time.



**FIXED**



**UNFIXED**

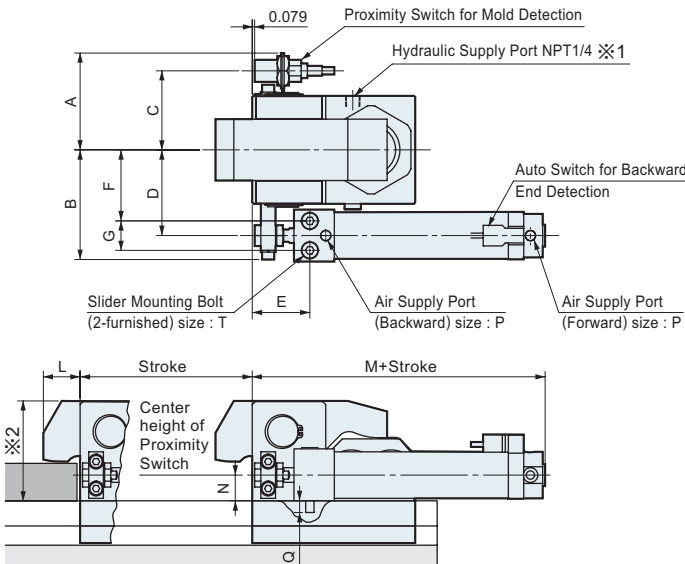


**SPECIFICATIONS** ( TYC [size] R [Proximity switch symbol] — [sliding dimension] [L1,L2 : air cylinder position] [N : NPT port] )

MODEL	TYC2R	TYC4R	TYC6R	TYC10R	TYC16R	TYC25R
Fixing Force At hydraulic pressure 3553 psi (US ton)	2.2	4.4	6.9	11.0	17.6	27.6
Sliding Stroke (in)	MAX.5.906		MAX.7.874		MAX.11.811	
Slider Driving Air Pressure (psi)	56.9~78.2					
Clamp Sliding Speed (ft/sec)	0.098~0.262 (Adjusted by speed controller)					
Weight ※ (lb)	7.7	11.0	22.0	35.3	57.3	83.8

■Proof pressure : 5322 psi ■Working temperature range : 32~158°F  
 ※Weight varies according to the dimension of T-leg as well as h.

**DIMENSIONS** The drawings showing : At air cylinder position L1.



**PROXIMITY SWITCH SPECIFICATIONS (OMRON)**

Switch Symbol	E0	E1	E2
Switch Model	2-Wire DC※ E2E-X7D1-N	3-Wire DC E2E-X5E1	2-Wire AC E2E-X5Y1
Supply Voltage	DC10~30V	DC10~40V	AC20~264V
Leakage Current	Max.0.8mA		Max.1.7mA
Current Consumption		Max.13mA	
Control Output (Switching Capacity)	3~100mA	200mA	5~300mA

Insulation vinyl cable length : 196.9" (Oil proof type, 0.000775 in<sup>2</sup>)  
 Proximity switch shall be specified as per the symbol (E0, E1, E2).  
 ※When using Pascal control box, 3-wire DC type (E1) shall be delivered.

**AUTO SWITCH SPECIFICATION (SMC)**

Switch Model	D-B54L		
Load Voltage	DC24V	AC100V	AC200V
Range of Load Current	5~50 mA	5~25 mA	5~12.5 mA

Insulation vinyl cable length : 118.1" (Oil proof type, 0.000465 in<sup>2</sup>)  
 (in)

MODEL	A	B	C	D	E	F	G	L	M	N	T	Q	P
TYC 2R	2.185	2.508	1.634	1.909	1.673	1.555	0.709	0.709	4.350	0.709	M5 × 1.378	0.276	NPT1/8
TYC 4R	2.480	2.803	1.929	2.205	1.673	1.850	0.709	0.906	4.350	0.709	M5 × 1.378	0.276	NPT1/8
TYC 6R	2.874	3.591	2.323	2.756	1.850	2.283	0.945	1.181	4.764	0.709	M8 × 1.772	0.492	NPT1/8
TYC 10R	3.071	4.220	2.520	3.189	2.244	2.559	1.260	1.181	5.433	0.709	M10 × 2.165	0.492	NPT1/8
TYC 16R	3.465	4.614	2.913	3.583	2.244	2.953	1.260	1.181	5.433	0.709	M10 × 2.165	0.492	NPT1/8
TYC 25R	4.870	5.846	3.780	4.567	2.795	3.760	1.614	1.181	6.496	0.709	M12 × 2.756	0.689	NPT1/4

※1. The position of hydraulic port is subject to change. It should be confirmed on the approval drawing.  
 ※2. For the detailed dimensions of clamp body, refer to the model TYA on previous page. Note that the height E may become different from model TYA's. You are requested to confirm on the approval drawing.