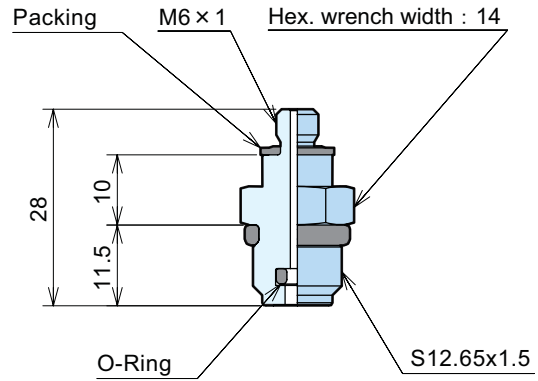


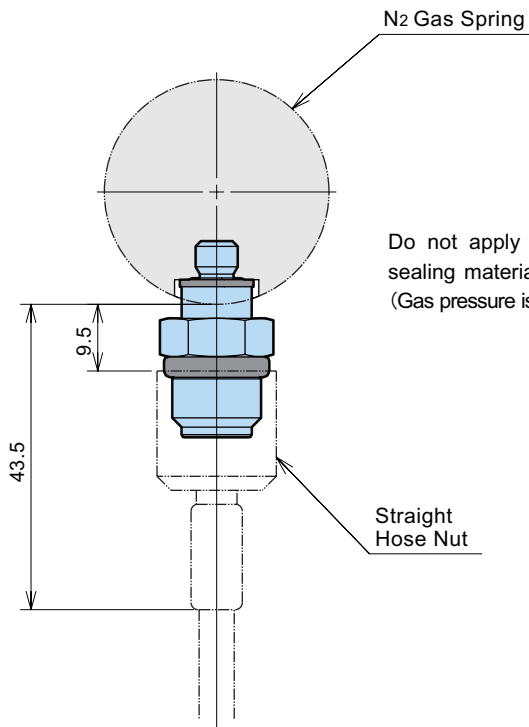
Straight Adaptor

model **DNH-STM6**

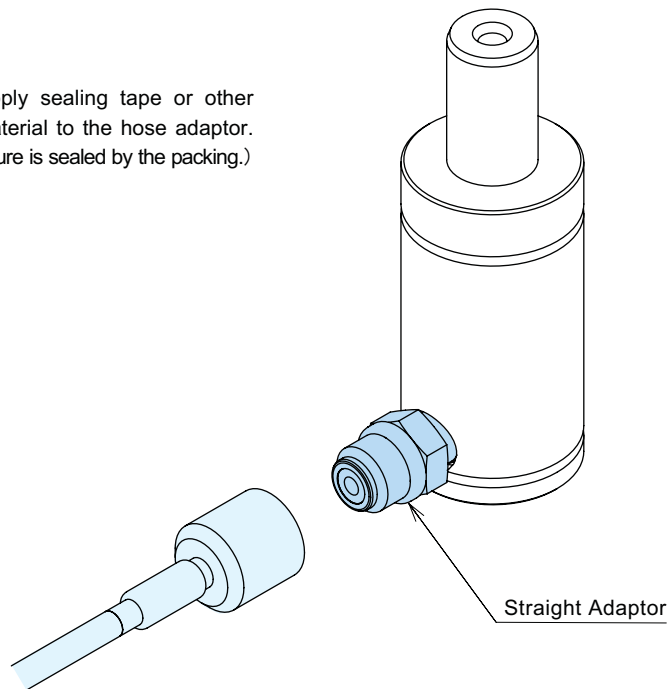
- With this straight adaptor the gas springs with M6 charging port can be connected to the CNOMO Hose System. As this straight adaptor cannot be applied to gas spring model DNR, please prepare exclusive Hose System. For detailed information please refer to the particular pamphlet PA-173E.



model **DNH-STM6**
(Check valve not built-in)



Do not apply sealing tape or other sealing material to the hose adaptor. (Gas pressure is sealed by the packing.)



Tightening Torque : 8.3 N·m ±0.5 N·m